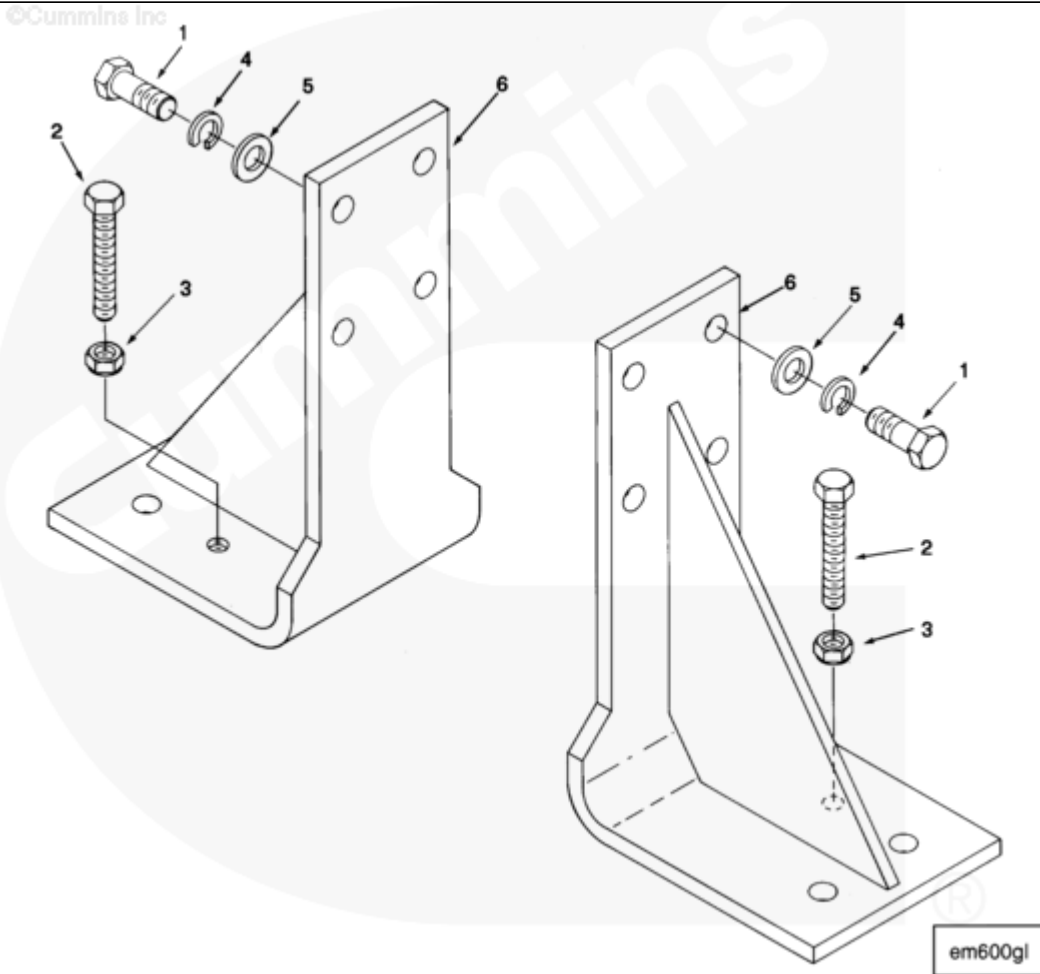




## Parts Catalog - Option Detail

Electronic Parts Catalog - Option Detail				
Option	Group	Graphic	Film Card	Date
RE6004-04	16.03	em600gl	K38	08-DEC-08
<b>Engines</b>	GTA38, K38, KTA38GC CM558, QSK38 CM2150 K106, QSK38 CM2150 MCRS, QSK38 CM850 MCRS			



[SMALL](#) | [MEDIUM](#) | [LARGE](#)

Cart	Ref No	Part Number	Part Description	Required	Remarks
<a href="#">View My Cart</a>					
		RE6004-04	Rear Engine Support		<a href="#">Flywheel housing supports for...(More)</a>
					mounting on 48.5inch (1232mm)
					centers - 16.5inch (419mm)
					below crankshaft centerline.

					Two 5/8-11 UNC jacking screws
					provided.
<input type="checkbox"/>	1	<a href="#">S 152 A</a>	Hexagon Head Cap Screw	8	3/4 - 10 X 2 in.
<input type="checkbox"/>	2	<a href="#">S 192 A</a>	Hexagon Head Cap Screw	2	5/8 - 11 X 4 in.
<input type="checkbox"/>	3	<a href="#">S 201</a>	Heavy Hexagon Nut	2	5/8 - 11 UNC.
<input type="checkbox"/>	4	<a href="#">S 611</a>	Lock Washer	8	3/4 in.
<input type="checkbox"/>	5	<a href="#">S 640</a>	Plain Washer	8	3/4 in.
<input type="checkbox"/>	6	<a href="#">2862850</a>	Flywheel Housing Support	2	

© 2019 Cummins Inc., Box 3005, Columbus, IN 47202-3005 U.S.A.  
Terms of Use and Disclaimers | Recommended System Requirements  
Need Assistance? Please click on the Contact Us button in the top right corner of any page.